

**GAUDI**  
ARCHITECTURAL SOLUTIONS





**GAUDI**  
ARCHITECTURAL SOLUTIONS



The Architectural Decor KFT holds the exclusive rights for the distribution of the NEW ART DECO decor collection by Victor Dembowski on the territory of the European Union. All actions of other legal and natural persons related to the manufacture and distribution of these products shall be illegal and shall contradict the applicable laws of the European Union.

## NEW ART DECO

---

Modern interior design tends to reveal a person's individuality more and more. Typical solutions and interior standards are becoming a thing from the past! The aim of all new products, new technologies, materials and items in the design industry is to provide an opportunity to implement the most creative and unusual ideas of designers and their customers. The New Art Deco collection was created by the designer, architecture and design historian Victor Dembowski. It expands the spectrum of possibilities provided by architectural decor and it will become the basis for a variety of original combinations.

At the same time, this collection is able to blend effectively with most modern styles, without creating any artificial boundaries imposed by canon or conventional methods. Indeed, this new collection of molded decor made of composite materials does not repeat the forms of historic styles, but it translates the aesthetics of modern splendor, based on unique solutions and contemporary approaches adopted in the sphere of design. For one person splendor is the image of a palace, and for another, it's an opportunity to show his visual experience, sense of humor and good taste. Various combinations of elements from the New Art Deco collection can satisfy all of these needs.

Using them, you can create a palace, but it will be modern and stylish, and it can give the sense of status. Those who love experimenting and who are ready to do something new and to work in the most contemporary styles will also find opportunities to bring their ideas to life. With this collection, solutions of any complexity are possible, because all of its elements supplement each other and can be combined to form a variety of unique compositions that let loose the creative thought of the designer. We would also like to highlight decorative panels that can be used separately or in combination with other elements from this collection. There are many variations for how they can be used; every designer will be able to come up with his own arrangement for any individual project.

Moldings and cornices are designed in the same style and module as the panels, which significantly simplifies working with them. The solutions including door frames, interior panels, bed headboards are just a small part of what can be done using decorative panels from this collection and with elements which supplement them. With the New Art Deco collection, we invite designers and decorators to collaborate creatively with us and to develop unique original interiors.

Decorative element 1.62.804; Decorative element 1.62.805;  
Decorative element 1.62.806; moulding 6.51.809; moulding 6.51.810



# 01

## CORNICES

6.50.801.....	20
6.50.802.....	20
6.50.803.....	20
6.50.804.....	20
1.50.805.....	21
1.52.818.....	21
1.52.819.....	21
6.59.805.....	21

# 02

## MOULDINGS

6.51.801.....	34
6.51.802.....	34
6.51.808.....	34
6.51.809.....	34
6.51.810.....	35
6.51.815.....	35
1.51.803.....	35
1.51.804.....	35
1.51.805.....	36
1.51.806.....	36
1.51.807.....	36
1.51.811.....	36
1.51.817.....	37
1.51.818.....	37
1.51.819.....	37
6.51.812.....	38
6.51.813.....	38
6.51.814.....	38
6.51.816.....	38

# 03

## MOULDING CORNER ELEMENTS

1.52.810.....	46
1.52.812.....	46
1.52.815.....	46
1.52.816.....	46
1.52.817.....	47

# 04

## SKIRTINGS

6.50.803.....	64
6.53.802.....	64
6.53.801.....	64
6.53.803.....	64
6.53.804.....	65
6.53.805.....	65
6.53.806.....	65
6.59.805.....	65

# 05

## DECORATIVE ELEMENTS

1.62.801.....	74
1.62.802.....	74
1.62.803.....	74
1.62.804.....	74
1.62.805.....	75
1.62.806.....	75
1.19.801.....	75

# 06

## CEILING ROSES

1.56.801.....	82
1.56.802.....	82
1.56.803.....	82
1.56.804.....	82
1.56.805.....	83
1.56.806.....	83

# 07

## DECORATIVE PANELS

1.59.818.....	90
1.59.819.....	90
1.59.820.....	90
1.59.821.....	90
1.59.817.....	91
6.59.801.....	96
6.59.802.....	96
6.59.803.....	96
6.59.804.....	96
6.59.805.....	97
6.59.806.....	97

# 08

## DECORATIVE FIREPLACES

1.64.801.....	110
1.64.803.....	111







---

## New Art Deco

The New Art Deco collection is a sort of multifunctional construction set. As an example, a single element from the collection can be used as a high baseboard or as a cornice that can be easily enhanced with decorative frames or sets of moldings. In this way completely different compositions and combinations are formed. All drawings and 3D models of design solutions can be found on our website, which makes the creative design process easier, and makes it possible to quickly create a clear layout for the mounting of products. The number of combinations is limited only by the designer's imagination.





Decorative element 1.62.805; Decorative element 1.62.806; moulding 6.51.815; moulding corner element 1.52.815; moulding 6.51.809; cornice 6.50.801; skirting 6.53.804

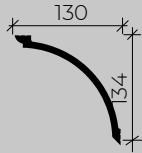
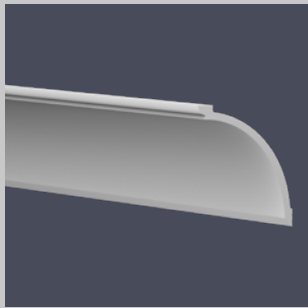




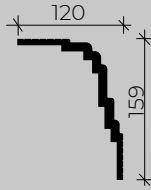
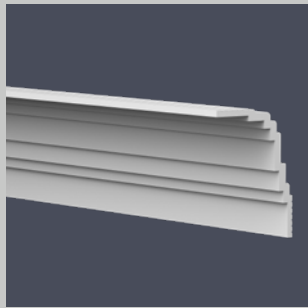
Moulding 6.51.815; moulding corner element 1.52.815; moulding 6.51.809; cornice 6.50.801; skirting 6.53.804



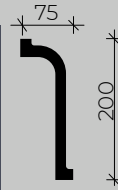
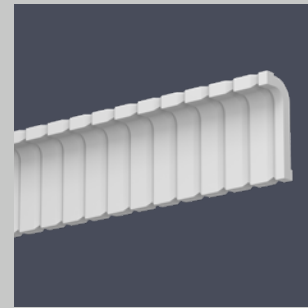
## CORNICES



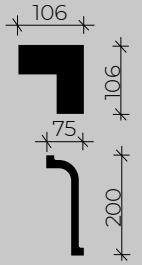
6.50.801  
2000x130x134



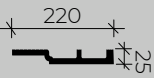
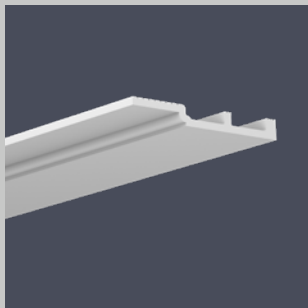
6.50.802  
2000x120x159



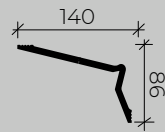
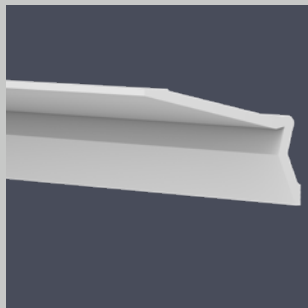
1.50.805  
2000x75x200



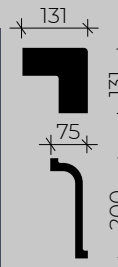
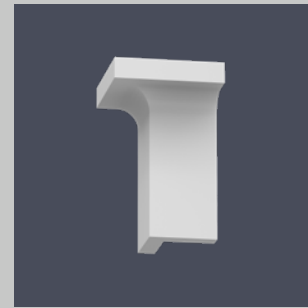
1.52.819  
106x200x106



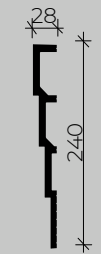
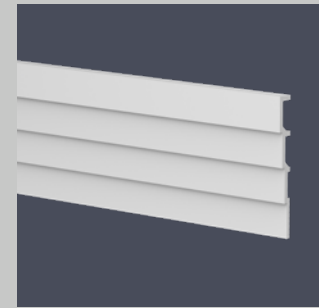
6.50.803  
2000x220x25



6.50.804  
2000x140x86



1.52.818  
131x200x131



6.59.805  
2000x28x240

Material: high-density extruded composite foam polymer based on polystyrene / polyurethane foam.  
Dimensions are in mm and are for reference only.



Cornice 1.50.805; moulding 1.51.819; moulding corner element 1.52.818;  
moulding corner element 1.52.819



Cornice 1.50.805; moulding corner element 1.52.818;  
moulding corner element 1.52.819





---

## New Art Deco

New Art Deco in the interior is one of the brightest and most luxurious modern styles. It is important to emphasize the modern character of this style, and to differentiate it from Neo Art Deco, which repeats the forms of historic style. The Neo style takes you into the first half of the twentieth century, surrounding you with figurines of panthers and dancers. It works with historic forms of furniture and illuminations; it repeats the arrangements of architectural decor. This style incorporates vintage items, furniture copies recreated using historic drawings, adapting decorative furnishings to the contemporary space. Neo Art Deco is good because it can be fitted more easily into the context of modern flats and country houses than any other classic style.







Decorative panel 6.59.801; Decorative panel 6.59.803

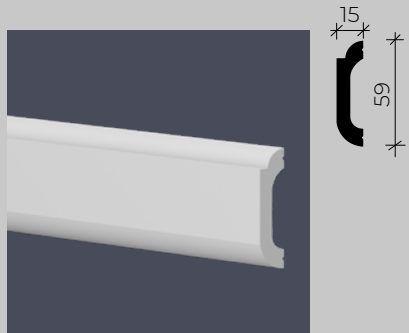




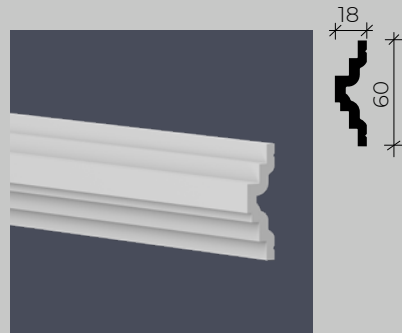
Decorative panel 6.59.801; Decorative panel 6.59.803



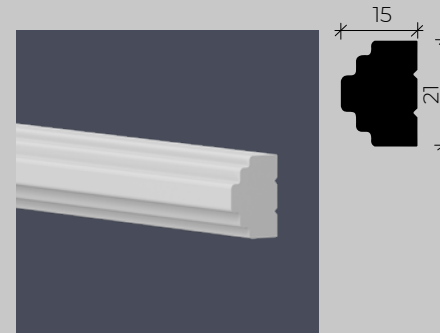
## MOULDINGS



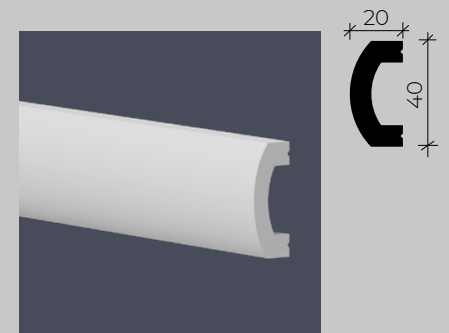
6.51.801  
2000x15x59



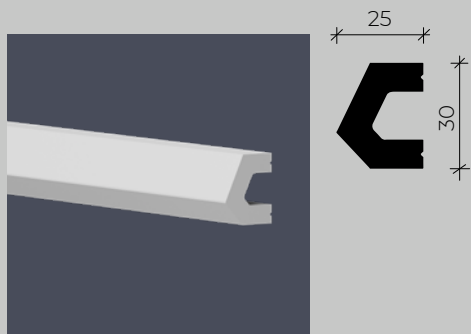
6.51.802  
2000x18x60



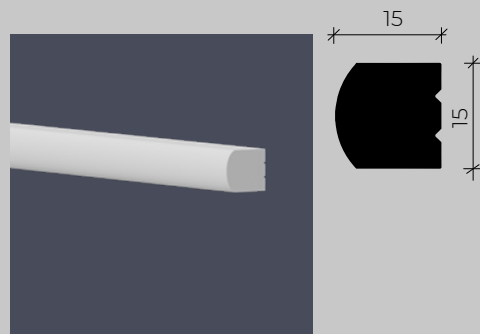
6.51.810  
2000x15x21



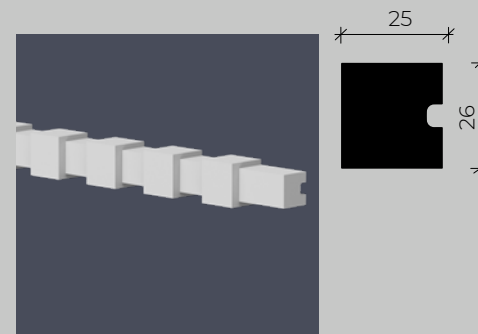
6.51.815  
2000x20x40



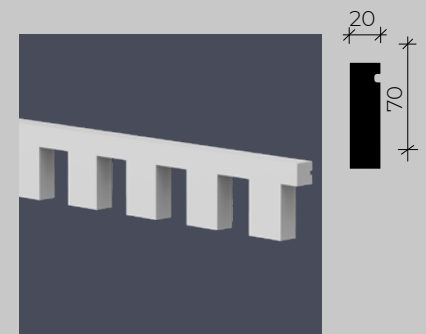
6.51.808  
2000x25x30



6.51.809  
2000x15x15



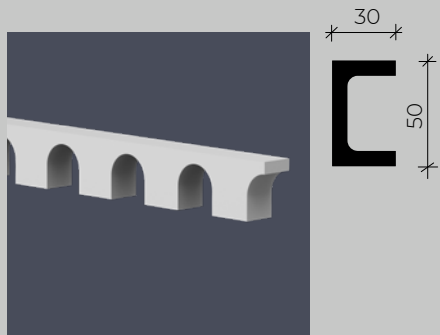
1.51.803  
2000x25x26



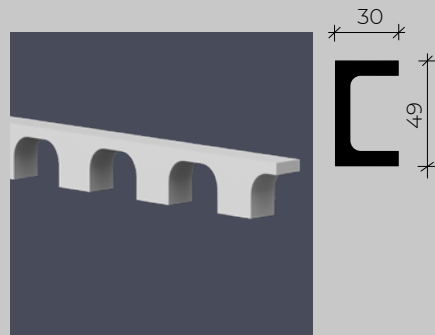
1.51.804  
2000x20x70

Material: high-density extruded composite  
foam polymer based on polystyrene /  
polyurethane foam.  
Dimensions are in mm and are for reference  
only.

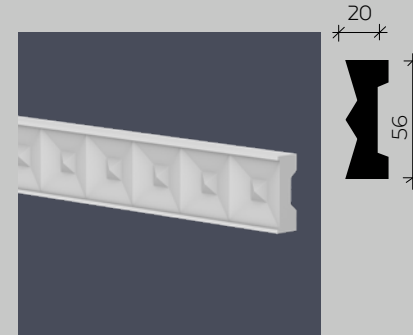
## MOULDINGS



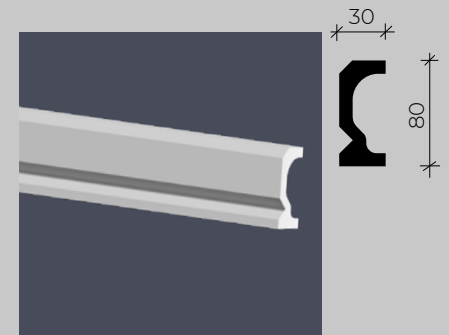
1.51.805  
2000x30x50



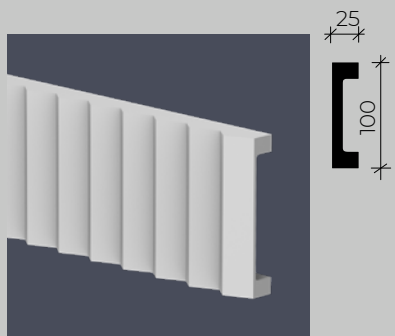
1.51.806  
2000x30x49



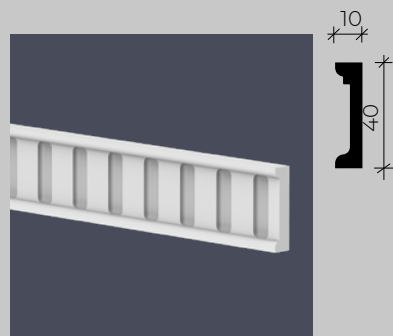
1.51.817  
2000x20x56



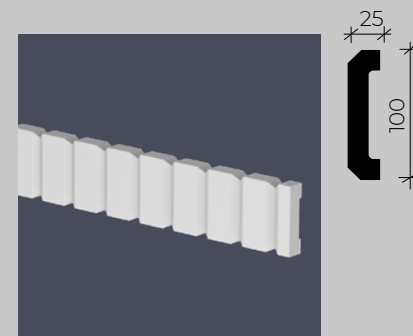
1.51.818  
2000x30x80



1.51.807  
2000x25x100



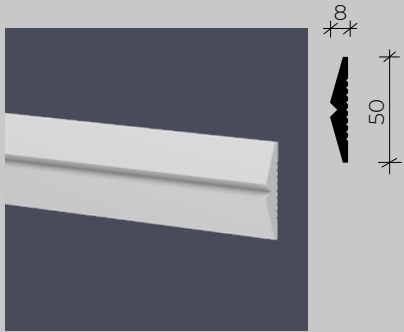
1.51.811  
2000x10x40



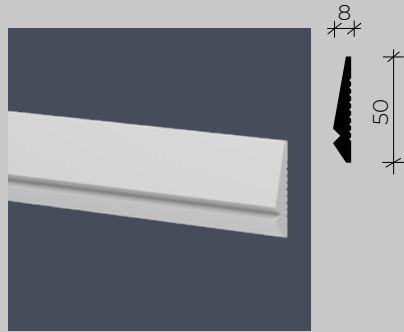
1.51.819  
2000x25x100

Material: polyurethane foam.  
Dimensions are in mm and are for reference only.

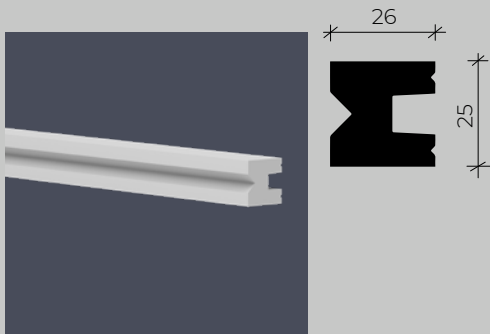
## MOULDINGS



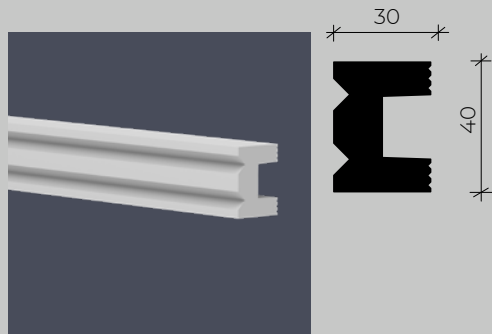
6.51.812  
2000x8x50



6.51.813  
2000x8x50



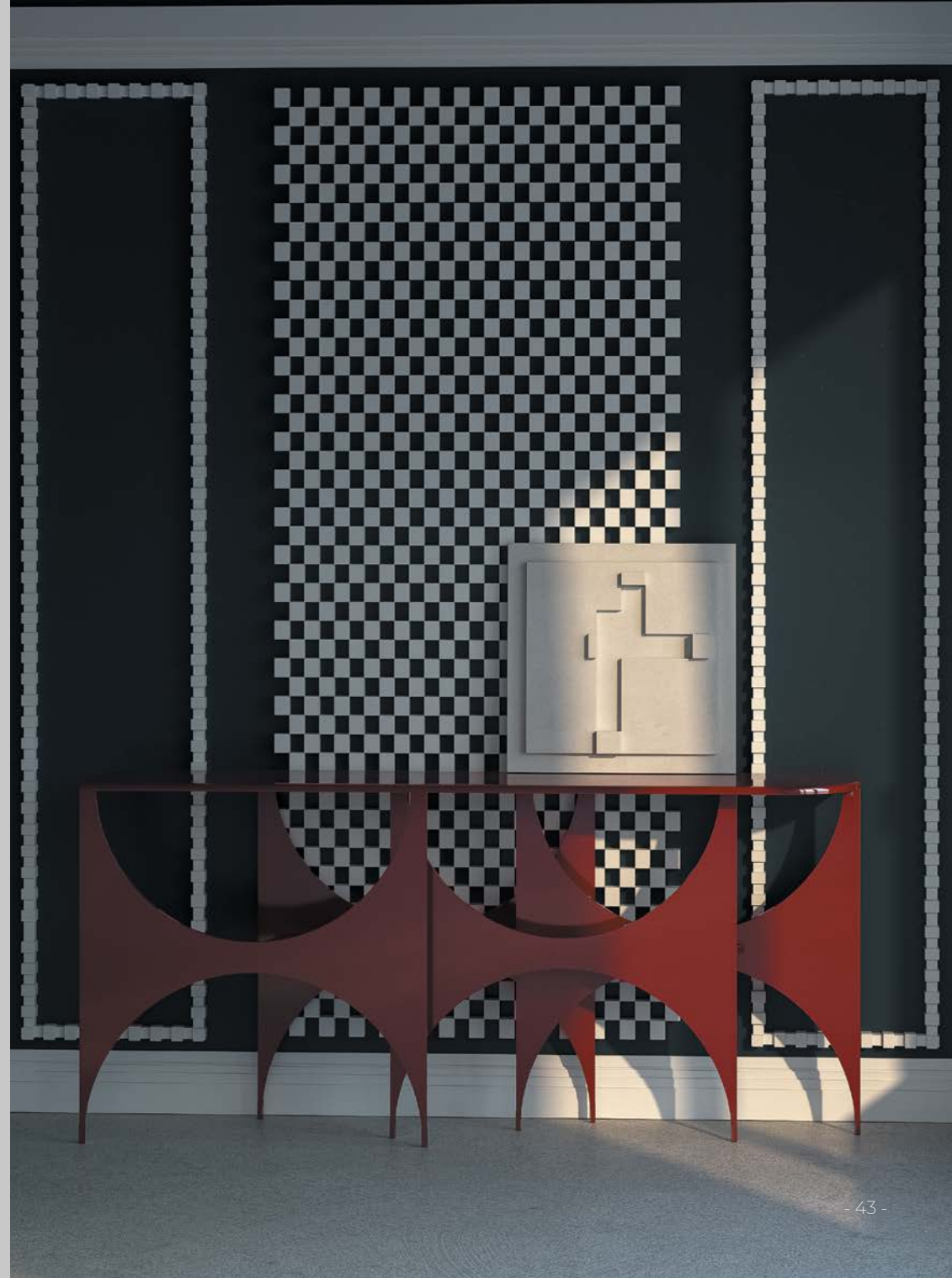
6.51.814  
2000x26x25



6.51.816  
2000x30x40

Material: high-density extruded composite  
foam polymer based on polystyrene.  
Dimensions are in mm and are for reference  
only.

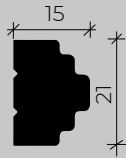




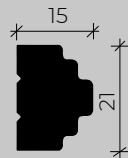




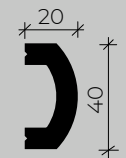
## MOULDING CORNER ELEMENTS



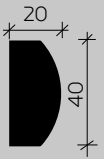
1.52.810  
280x280



1.52.812  
280x280



1.52.817  
300x300



1.52.815  
245x245



1.52.816  
300x300

Material: polyurethane foam.  
Dimensions are in mm and are for reference only.



---

## New Art Deco

New Art Deco does not copy the forms of the historic style, but uses its logic and methods. The goal of this style is not to convey images of the past. It works with modern tastes and current needs. Greater emphasis is put on expensive and structurally complex materials, not only natural, but also various artificial ones, that appear as a result of work of modern industry. Thereby New Art Deco, as its historical analogue, aims to work with the most fashionable and relevant technologies and materials. Today New Art Deco adopts acryl, polyurethane and various modern plastic materials, which can be easily used side by side with natural wood veneer and velour.





Moulding 6.51.802; moulding 6.51.809; cornice 6.50.802;  
skirting 6.53.802





Moulding 6.51.802; moulding 6.51.809; cornice 6.50.802;  
skirting 6.53.802





---

## New Art Deco

New Art Deco likes symmetrical furniture with simple lines and irregular curves, but with expensive upholstery and finishings. Special attention is paid to interior art objects and art, as a whole. This style does not exist without bright focal points that attract attention.

New Art Deco also does not acknowledge empty surfaces. Walls and ceilings in this style are decorated using molded decor with geometric lines. Cornices, moldings, baseboards and ceiling roses act as full-fledged architectural decoration of the interior here. In New Art Deco all of these elements are successfully combined with wall panels, and also panels made of natural and artificial stones.





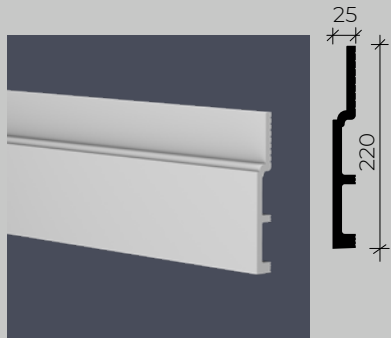
Moulding 6.51.809; cornice 6.50.801; moulding 6.51.810;  
decorative element — corbel 1.19.801; skirting 6.53.804



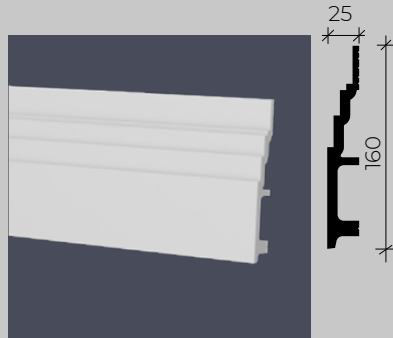




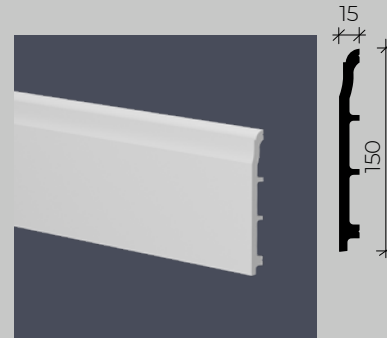
## SKIRTINGS



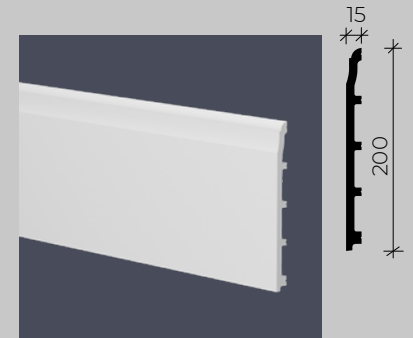
6.50.803  
2000x25x220



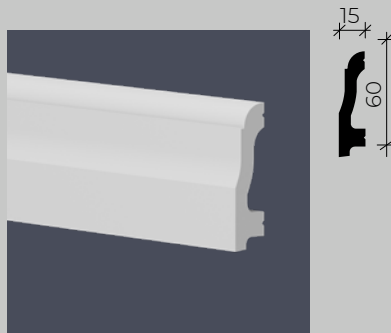
6.53.802  
2000x25x160



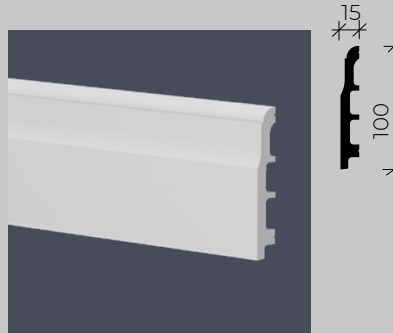
6.53.804  
2000x15x150



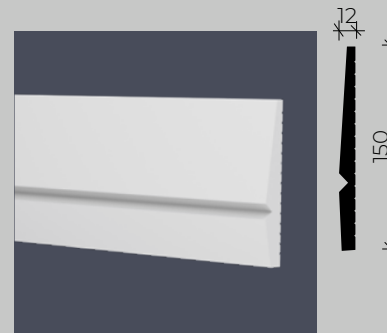
6.53.805  
2000x15x200



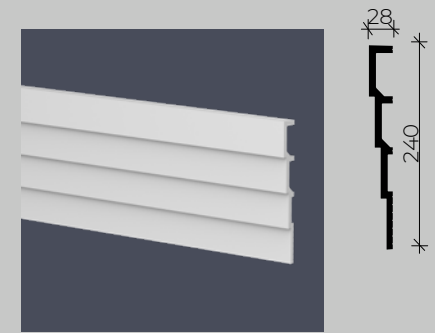
6.53.801  
2000x15x60



6.53.803  
2000x15x100



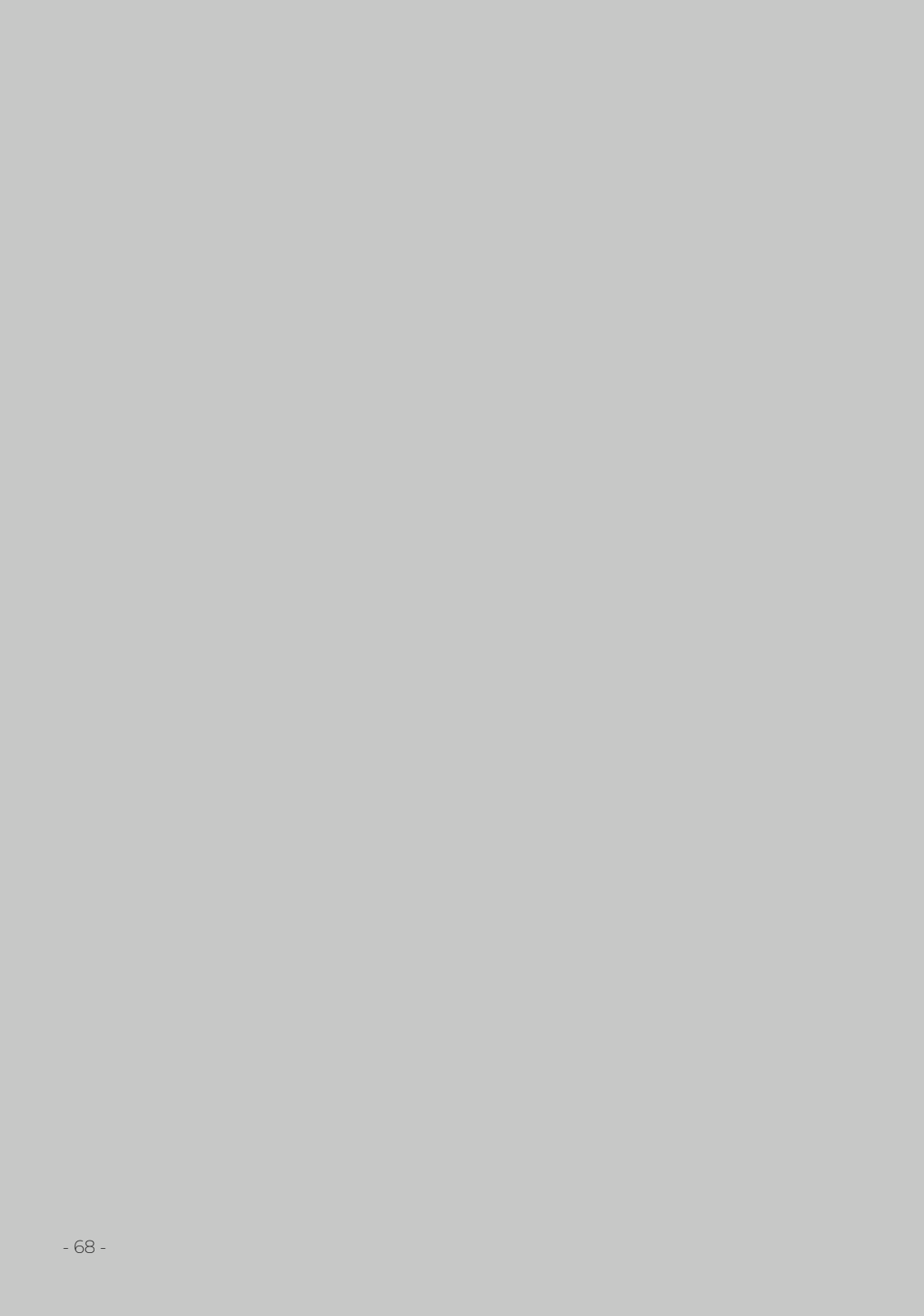
6.53.806  
2000x12x150



6.59.805  
2000x28x240

Material: high-density extruded composite  
foam polymer based on polystyrene.  
Dimensions are in mm and are for reference  
only.







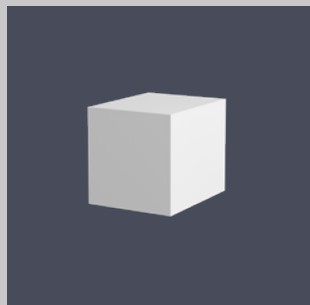
Moulding 1.51.805; moulding 6.51.808;  
decorative panel 6.59.803; skirting 6.50.803





DECORATIVE ELEMENTS

DECORATIVE ELEMENTS



1.62.801  
W40 D40 H50



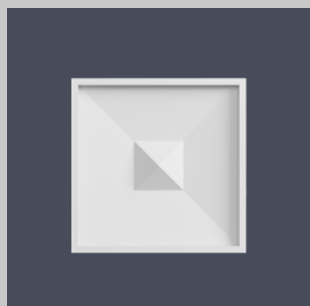
1.62.802  
W100 D10 H100



1.62.805  
W33 D15 H100



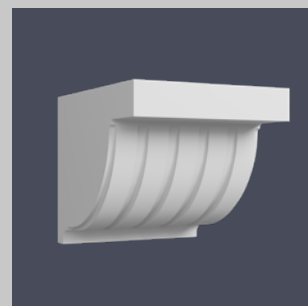
1.62.806  
W33 D15 H100



1.62.803  
W76 D20 H76



1.62.804  
W100 D15 H120



1.19.801  
W127 D120 H100

Material: polyurethane foam.  
Dimensions are in mm and are for reference only.









Decorative panel 6.59.803; decorative panel 6.59.802;  
ceiling rose 1.56.803



## CEILING ROSES

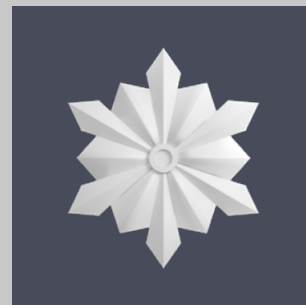
## CEILING ROSES



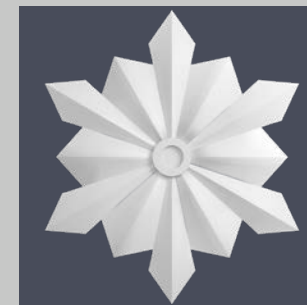
1.56.801  
Ø: 350 D:16



1.56.802  
Ø: 700 D:23



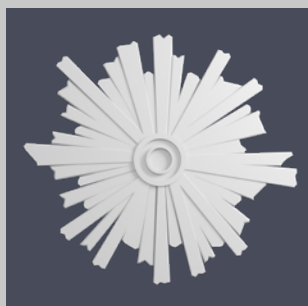
1.56.805  
Ø: 380 D:20



1.56.806  
Ø: 760 D:30



1.56.803  
Ø: 450 D:21



1.56.804  
Ø: 901 D:21

Material: polyurethane foam.  
Dimensions are in mm and are for reference only.





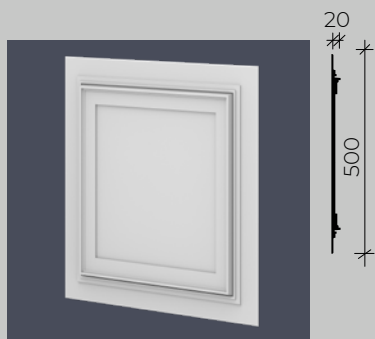
Cornice 6.59.805; decorative panel 1.59.820; decorative panel 1.59.821; decorative panel 6.59.806; skirting 6.59.805



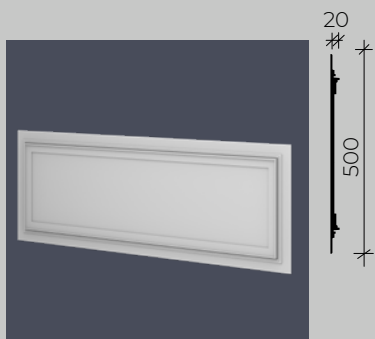


DECORATIVE PANELS

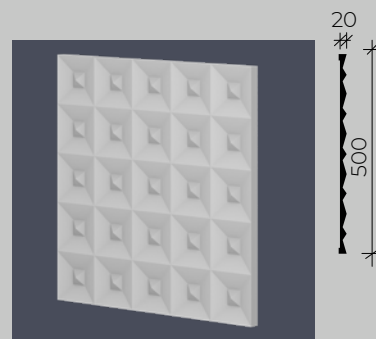
DECORATIVE PANELS



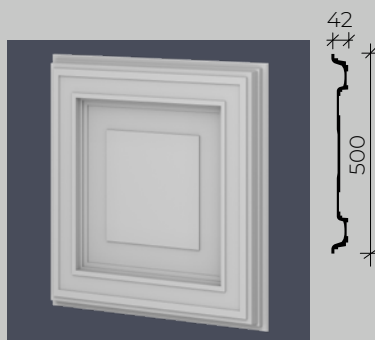
1.59.818  
500x20x500



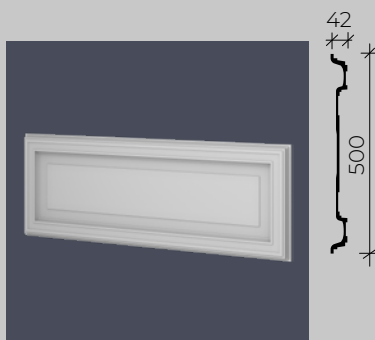
1.59.819  
1500x20x500



1.59.817  
500x20x500



1.59.820  
500x42x500



1.59.821  
1500x42x500

Material: polyurethane foam.  
Dimensions are in mm and are for reference only.





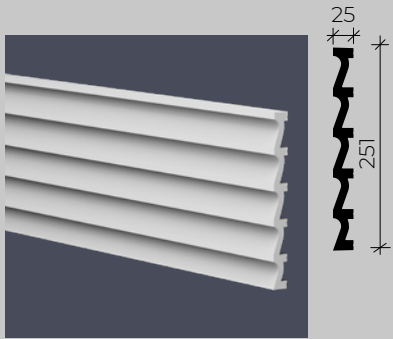


Decorative panel 1.59.817; moulding 1.51.817; decorative element 1.62.803; moulding 6.51.808; skirting 6.53.805



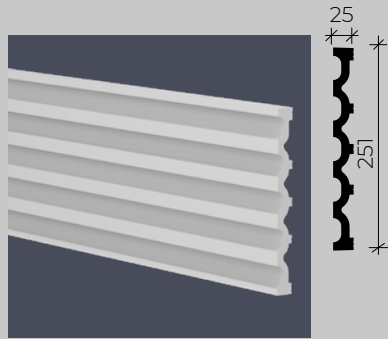
DECORATIVE PANELS

DECORATIVE PANELS



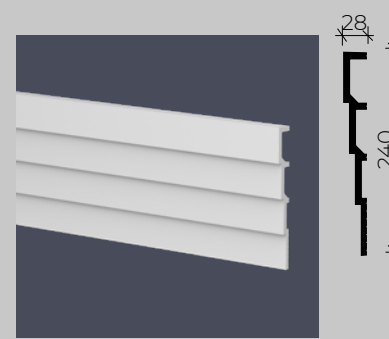
6.59.801  
2000x25x251

6.59.801-280  
2800x25x251

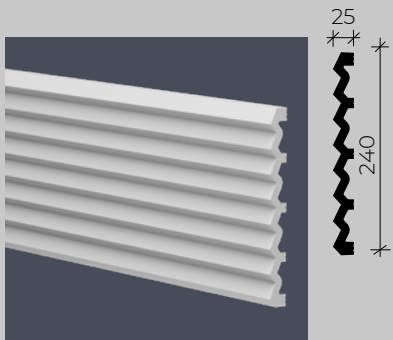


6.59.802  
2000x25x251

6.59.802-280  
2800x25x251

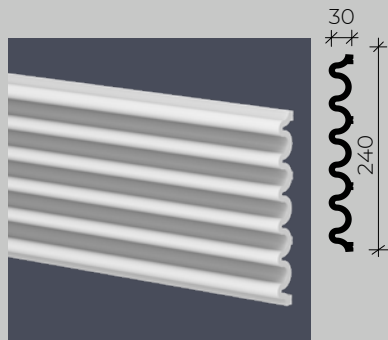


6.59.805  
2000x28x240



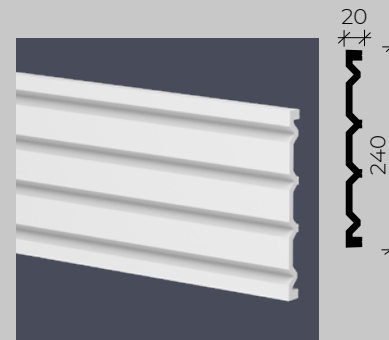
6.59.803  
2000x25x240

6.59.803-280  
2800x25x240



6.59.804  
2000x30x240

6.59.804-280  
2800x30x240



6.59.806  
2000x20x240

6.59.806-280  
2800x20x240

Material: high-density extruded composite  
foam polymer based on polystyrene.  
Dimensions are in mm and are for reference  
only.





Decorative panel 6.59.802; skirting 6.59.805; moulding 6.51.816; moulding 6.51.814; moulding 6.51.802; decorative panel 6.59.804







Decorative panel 6.59.802







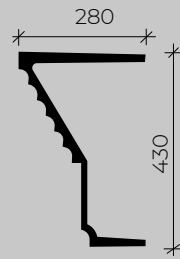
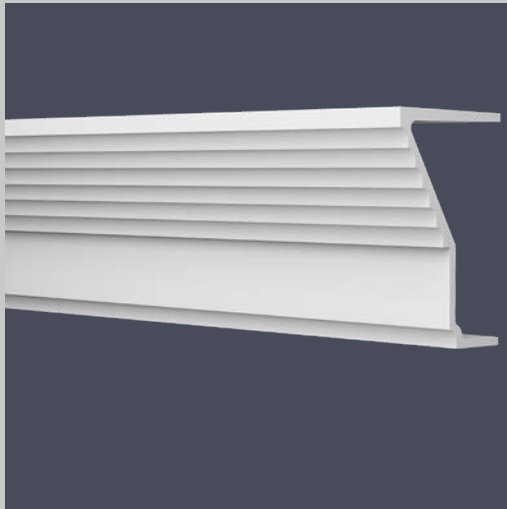
Decorative panel 6.59.803; moulding 6.51.808



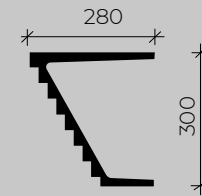
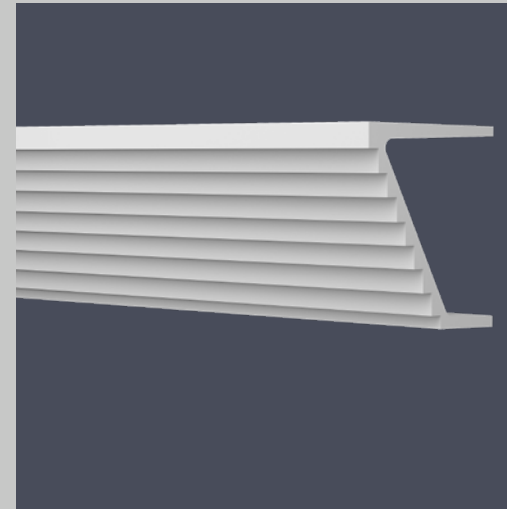


DECORATIVE FIREPLACES

DECORATIVE FIREPLACES



1.64.801  
1600x280x430



1.64.803  
1200x280x300



1600x1200



1200x1200

Material: polyurethane foam.  
Dimensions are in mm and  
are for reference only.



Cornice 6.50.802; skirting 6.53.802; moulding 6.51.810; corner moulding element 1.52.812; decorative element 1.62.802; decorative element 1.62.803; decorative fireplace 1.64.801





Cornice 6.50.802; moulding 1.51.804; moulding 6.51.809;  
skirting 6.53.802

















Victor Dembowski is the designer and the architecture and design historian. He completed the postgraduate training program at the department of history and theory of Arts and Design of the Moscow State Stroganov Academy of Design and Applied Arts. He fulfilled his internship at the Royal College of Art (London) and ENSAD (Paris).

Since 2009 he has been teaching in specialized high schools and professional design schools. He has been developing curricula, special courses and master classes in the field of design, and he has also been writing scientific and popular articles related to design and architecture. He has been also working as a lecturer and as an expert during events for the improvement of qualification for designers, such as Elle Decoration Design Days, West Labs, Design Forums, as part of educational programs MosBuild, etc.

He is the author of professional training programs for designers at International Design Exhibitions, such as Maison & Objet, IMM Cologne, iSaloni, etc. He is the author of curricula at the British Higher School of Art and Design, the Moscow Film School, SkillBox online school.

He has been working in the fields of interior design, design journalism and education. He regularly writes articles for the print and online versions of the Elle Decoration magazine, Design Mate portal and other periodicals. Member of expert board of Object Design Specialists. Founder of "Dembowski Design School".



# GAUDI

ARCHITECTURAL SOLUTIONS

