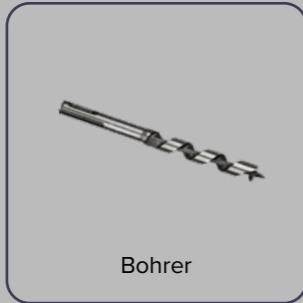
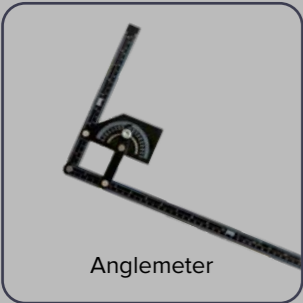
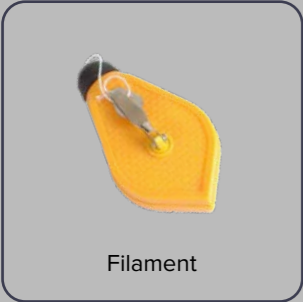
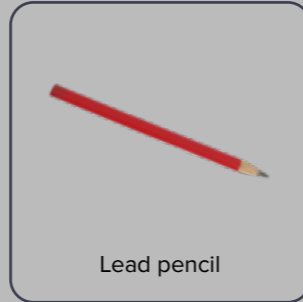


FACADE PROFILES

Installation manual for foam polyurethane
decorative elements

TOOLS AND MATERIALS

Attention!
For installation of facade profiles requires participation of two people at least.



ADHESIVE



MULTIPURPOSE ADHESIVE
290 ml



ADHESIVE FOR BONDING JOINTS
60 ml

The following information is relevant for Evroplast adhesives. If you use other adhesives, follow manuals on it's package.

Work performance conditions: the temperature while performing the works and the next 24 hours must be at least + 8°C. Indoor relative air humidity must be 40%. It is required to keep the product in the room for 24 hours at least.

Requirements to the surface: prepared surface must be dry, degreased, cleaned from dust. Weak mineral substrates should be pre-strengthened by suitable primer.

PREPARATION



I

Mark upper cover of the cornice, 50 mm away from the edge.



II

Strike a line with a chalkline between the marks on the cornice shelf.



III

Cut the cornice cover as marked.



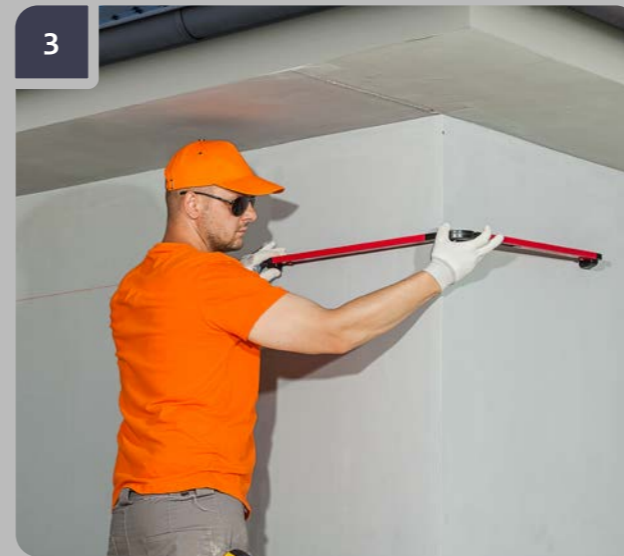
1

Attach the item to the mounting spot. Firmly press the item to the wall and the ceiling, and mark the wall along the bottom edge of the product.



2

Strike a line with a chalkline connecting the marks.



3

Using an adjustable square, measure the angle of the building.



4

Using a mitre saw adjusted to the appropriate angle, make a cut into the item.



5
Finish the cut with a hand saw.



6
Cut the next item.



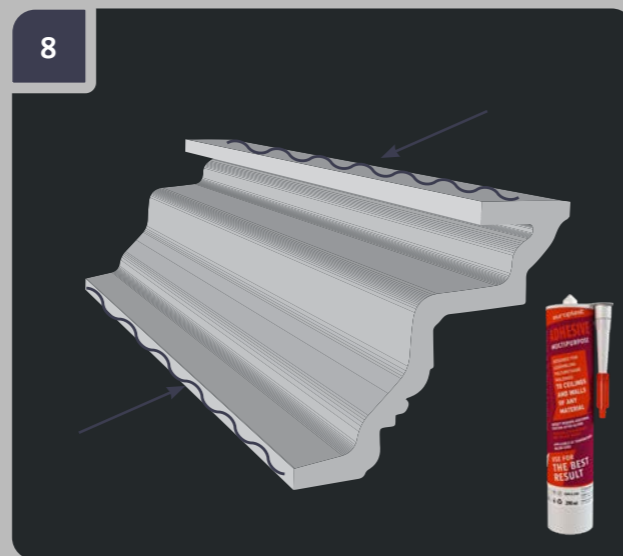
9
Place the item to the mounting spot, according to the markings on the wall. Press the item along the entire length hard enough to make the adhesive exude from the joint.



10
Use a perforator to make holes for impact anchors spaced at ~600 mm.



7
Check that the item's pattern and profile match.



8
Evenly spread «Evroplast Multipurpose» Adhesive along the entire item. The layer of adhesive should be 3–5 mm thick.



11
Fix the item in place with impact anchors.



12
Use a screw gun to drive the impact anchors' heads into the item – 2 mm deep.



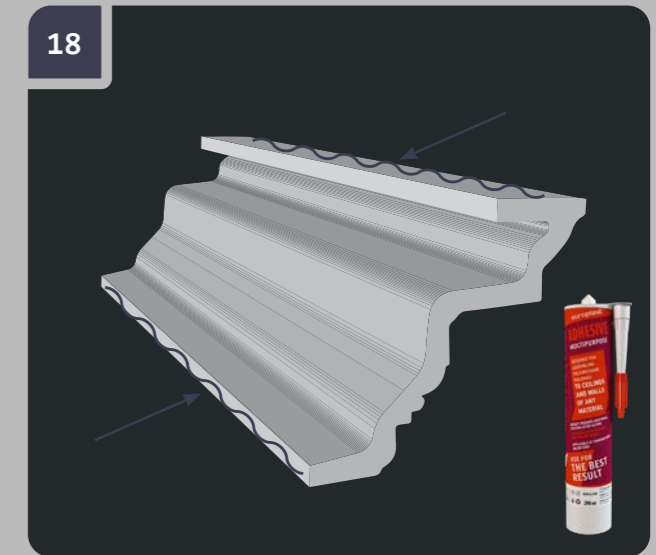
13 With the screw gun and a self-tapping screw pull the upper part of the item and sink the screw's top 2 mm into it.



14 Immediately after putting in the self-tapping screws remove excess adhesive with a palette knife.



17 Put the «Evroplast for bonding joints» Adhesive on the free end of an already-mounted item.



18 Spread the «Evroplast Multipurpose» Adhesive along the entire next item to be mounted (on the surface to be attached). The layer of adhesive should be 3–5 mm thick.



15 If necessary, rub the spots where the item touches the surface with an acetone-soaked cloth.



16 Use a moistened cloth to clean the butt ends of the adjoining items from dust and other dirt.



19 Attach the item to the mounting spot. Press along the entire length hard enough to make adhesive exude from the joint. Sliding the item along the wall, press it against the neighbouring item so that adhesive exudes from the joint.



20 Attach the joint with self-tapping screws.



21

Continue assembly by repeating steps 10–15.



22

Remove excess adhesive with a palette knife immediately after gluing.



25

In places where an item abuts the surface and no adhesive has exuded from the joint, fill the gaps with more adhesive.



26

Use acetone and cloth to remove extra adhesive.



23

Rub the joint with an acetone-soaked cloth.



24

Continue to the next item.



27

Wait 3 hours and apply soft sand paper to the joints for an even surface.



28

Apply putty to the treated spots and over the heads of screws — use automotive putty.

Facade profiles installation

29



After the putty has dried, polish the treated spots and filled screw holes with soft sand paper. If necessary, repeat step #28.

30



Consult paint manufacturer instructions and paint the mounted items starting from the corner of the building.





gauidedecor.eu